

RENAULT KANGOO AND KANGOO E-TECH 100% ELECTRIC



overseas model shown

- 01. interior**
- 02. equipment**
- 03. engines and batteries**
- 04. dimensions and volumes**
- 05. equipment and options**

01. interior



Kangoo Van

- easy link display with 8" touchscreen, wireless smartphone replication[^], DAB radio, bluetooth[^] and USB ports
- 7" digital instrument display
- solid bulkhead
- manual air conditioning



Kangoo E-Tech 100% Electric

- automatic climate control air conditioning
- three regenerative braking modes available via the gear lever

Images shown for guidance purposes only. Actual specification may differ.
[^] compatibility may vary depending on phone.

02. equipment

Petrol

passive safety

- 3-point height adjustable front seat belts with pre-tensioner
- Driver & passenger front airbags
- Driver & passenger side airbags
- Driver & passenger seat belt warning

active safety

- ABS (Anti-Lock Braking System)
- Active Emergency Braking System with pedestrian, cyclist and junction detection
- Lane Keep Assist
- ASR (Traction Control)
- Cruise control & speed limiter
- Rear parking sensors
- Reversing camera
- Hill Start Assist
- Low tyre pressure warning

connectivity and multimedia

- easy link 8" capacitive touchscreen multimedia system
- Instrument display with colour 7" TFT screen
- Apple CarPlay® & Android Auto™ wireless smartphone replication*
- 12v power outlet
- Smartphone dock

convenience

- Remote central locking
- Auto-door lock when driving
- Halogen headlights
- Automatic windscreen wipers
- Automatic dusk sensing headlights
- Electric parking brake
- Eco, Normal and Perso modes
- Full-sized spare wheel
- Electric front windows

comfort

- 6-way adjustable driver's seat
- Leather steering wheel
- Power steering
- Height and reach adjustable steering column
- Air conditioning with pollen filter

interior styling

- Cloth seat upholstery

exterior styling

- 16" steel wheels
- Left & right sliding doors - unglazed
- Rear 180° opening barn doors - unglazed
- Rear mud flaps

cargo area

- Solid bulkhead - glazed
- Mid-height cargo lining
- Cargo area light

main options

- Visibility Pack

- Front LED fog lamps
- LED headlamps
- Auto high/low beam headlights

- Trade Pack

- Timber floor lining
- Full-height cargo area wall lining
- Yard kit underbody protection
- Cargo area LED lighting

- Comfort Pack[†]

- Adaptive cruise control
- Hands-free key card
- Body-coloured door handles
- Navigation system
- Blind Spot Intervention
- Front & side parking sensors
- Wireless smartphone charger
- Centre console with armrest and storage
- Automatic climate control air conditioning

Single options

- Increased payload (SWB only)
- Glazed barn doors - extra tinted, rear wiper and demister
- Glazed barn doors - rear wiper and demister, manual dimming rear-view mirror
- Glazed tailgate - rear wiper and demister, manual dimming rear-view mirror
- No right sliding door (SWB only)
- Glazed left and right sliding doors
- Smart Digital Rear-view Mirror

* compatibility may vary depending on phone.

[†] Comfort Pack not compatible with body-coloured front and rear bumpers.

[#] smart digital rear-view mirror is subject to a global shortage. Not all 2026-built vehicles will have this feature. Please confirm availability of this feature with your Renault dealer prior to ordering. Apple CarPlay® is a trademark of Apple Inc., registered in the U.S. and other countries and regions. Android Auto™ is a trademark of Google LLC.

02. equipment

E-Tech 100% electric

passive safety

- 3-point height adjustable front seat belts with pre-tensioner
- Driver & passenger front airbags
- Driver & passenger side airbags
- Driver & passenger seat belt warning

active safety

- ABS (Anti-Lock Braking System)
- Active Emergency Braking System with pedestrian, cyclist and junction detection
- Lane Keep Assist
- ASR (Traction Control)
- Cruise control & speed limiter
- Rear parking sensors
- Reversing camera
- Hill Start Assist

connectivity and multimedia

- easy link 8" capacitive touchscreen multimedia system
- Instrument display with colour 7" TFT screen
- Apple CarPlay® & Android Auto™ wireless smartphone replication*
- 12v power outlet
- Smartphone dock

E-Tech specific

- Front E-Tech charging socket under Renault logo
- AC 22kW charging capability
- DC 80kW charging capability
- E-Tech instrument panel with energy gauge
- Audible alert for pedestrians

convenience

- Remote central locking
- Auto-door lock when driving
- Halogen headlights
- Automatic windscreen wipers
- Automatic dusk sensing headlights
- Electric parking brake
- ECO mode
- Tyre inflation kit
- Electric front windows

comfort

- 6-way adjustable driver's seat
- Synthetic steering wheel
- Power steering
- Height and reach adjustable steering column
- Climate control air conditioning

interior styling

- Cloth seat upholstery

exterior styling

- 16" steel wheels
- Left & right sliding doors - unglazed
- Rear 180° opening barn doors - unglazed
- Rear mud flaps

cargo area

- Solid bulkhead - glazed
- Mid-height cargo lining
- Cargo area light

main options

- Visibility Pack

- Front LED fog lamps
- LED headlamps
- Auto high/low beam headlight

- Trade Pack

- Timber floor lining
- Full-height cargo area wall lining
- Yard kit underbody protection
- Cargo area LED lighting

- Comfort Pack[†]

- Adaptive cruise control
- Hands-free key card
- Body-coloured door handles
- Navigation system
- Blind Spot Intervention
- Front & side parking sensors
- Wireless smartphone charger
- Centre console with armrest and storage
- Leather steering wheel - heated

Single options

- Glazed barn doors - extra tinted, rear wiper and demister
- Glazed barn doors - rear wiper and demister, manual dimming rear-view mirror
- Glazed tailgate - rear wiper and demister, manual dimming rear-view mirror
- No right sliding door (SWB only)
- Glazed left and right sliding doors
- Smart Digital Rear-view Mirror

* compatibility may vary depending on phone.

[†] Comfort Pack not compatible with body-coloured front and rear bumpers.

[#] smart digital rear-view mirror is subject to a global shortage. Not all 2026-built vehicles will have this feature. Please confirm availability of this feature with your Renault dealer prior to ordering.

Apple CarPlay® is a trademark of Apple Inc., registered in the U.S. and other countries and regions. Android Auto™ is a trademark of Google LLC.

03. engines and batteries

	SWB PETROL 1.3L EDC	LWB PETROL 1.3L EDC
engine & transmission		
Type	1.3L Petrol	
Installation	4 Cylinder Transverse	
Capacity (cc)	1332	
Number of cylinders/ valves	4/16	
Bore x stroke (mm)	72.2 x 81.2	
Maximum power (kW @ rpm)	96 / 5,000	
Maximum torque (Nm @ rpm)	240 / 1,600	
Fuel type	Premium Unleaded (95 or 98)	
Fuel injection type	Direct injection + Turbocharger	
Gearbox	7 Speed Automatic	
Driven wheels	Front	
Speeds at 1000 rpm		
1st gear	6.23	
2nd gear	10.5	
3rd gear	17.06	
4th gear	25.14	
5th gear	32.5	
6th gear	40.71	
7th gear	50.8	
fuel consumption[^]		
Emission Standard	Euro 6	
Combined cycle (L/100km)	6.2	
CO2 emissions (g/km)	141	
Extra-urban cycle (L/100km)	5.7	
Urban cycle (L/100km)	7.2	
Fuel Tank	54	

	SWB E-TECH 100% electric	LWB E-TECH 100% electric
motor		
Electric motor technology	synchronous with coiled rotor	
Maximum power (kW)	90	
Maximum torque (Nm)	245	
Gearbox	1-speed automatic	
Energy recovery on braking	3 regenerative braking modes	
Driven wheels	front	
battery & charging		
Battery technology	lithium Ion w/ cooling system	
Battery type (kWh)	45	
Recharging capability	AC up to 22kW / DC up to 80kW	
Charging time - 22kW AC charger ⁽²⁾	approx. 2h25*	
Charging time - 80kW DC charger ⁽²⁾⁽³⁾	approx. 1h25*	
consumption[^]		
Certified consumption in combined cycle (Wh/km) ⁽¹⁾	175	
Certified driving range in WLTP cycle ⁽¹⁾	286	

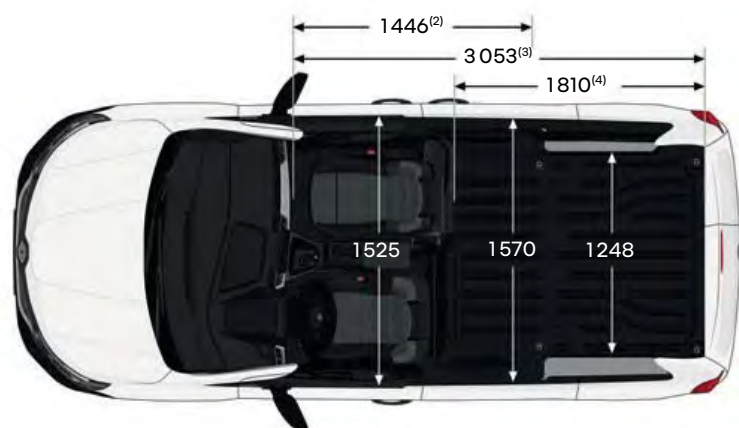
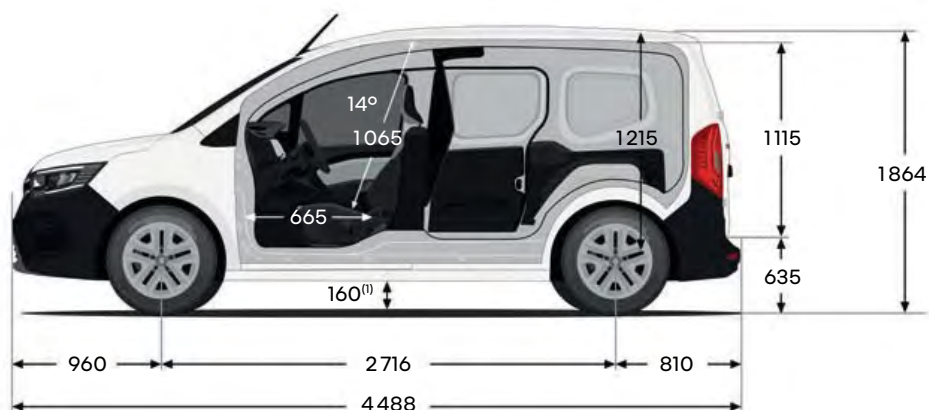
(1) Based on WLTP (Worldwide Harmonised Light-Duty Vehicles Test Procedure) static laboratory combined average city and highway cycle test, which measures energy consumption, range and emissions in vehicles, designed to provide figures closer to real-world driving behaviour. Real life driving results will vary depending on driving style, type of journey, battery age and condition, use of vehicle features (such as heating and air conditioning), as well as operating, environmental and climate conditions.

(2) The charging time and driving range recovered depend on the temperature, wear of the battery, power delivered by the charging point, your driving style and your charge level.

[^] Vehicle tested in accordance with ADR 81/02 based on combined cycle (city/highway). Actual fuel consumption and CO2 emissions depend on factors such as traffic conditions, vehicle condition and how you drive.

04. dimensions and volumes

Kangoo Van SWB



cargo area

load volume (m ³)	3.3
cargo bay length (mm)	1,806

weights and loads (kg)*

version	internal combustion engine		electric
	standard payload	increased payload [^]	standard payload
gross vehicle weight	2,010	2,210	2,230
kerb weight	1,447	1,453	1,707
max. payload	563	757	523

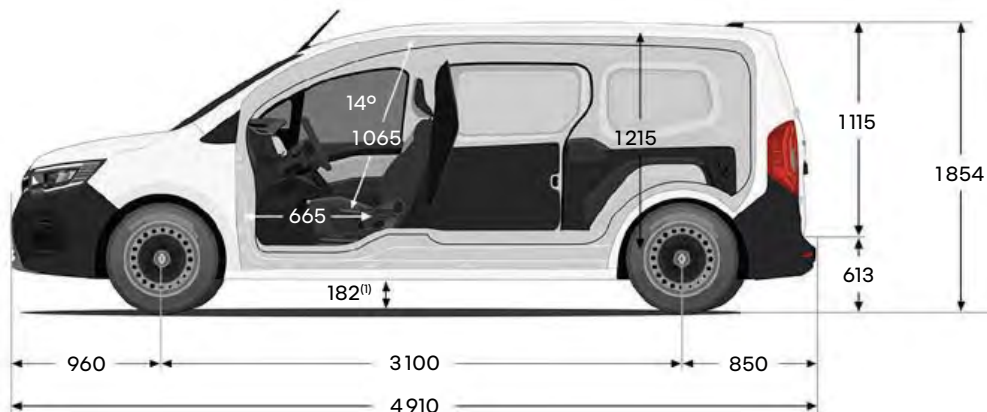
max. trailer weight

(braked/unbraked)	1,500/750
-------------------	-----------

[^] increased payload option is available on SWB petrol versions only.

04. dimensions and volumes

Kangoo Van LWB



cargo area

load volume (m ³)	4.2
cargo bay length (mm)	2,230

weights and loads (kg)*

	internal combustion engine	electric
gross vehicle weight	2,300	2,490
kerb weight	1,544	1,822
max. payload	756	668

max. trailer weight

(braked/unbraked)	1,500/750
-------------------	-----------

dimensions in (mm).

(1) unladen ground clearance.

(2) width of side opening.

(3) loading length behind panelled partition.

(4) value at 700 mm from sill bar.

(5) value at 100 mm from sill bar.

* different weights depending on version.

technical images shown for guidance purposes only.

05. equipment and options

	SWB PETROL 1.3L EDC	LWB PETROL 1.3L EDC	SWB E-TECH 100% ELECTRIC	LWB E-TECH 100% ELECTRIC
dimensions and weights				
Wheelbase (mm)	2,716	3,100	2,716	3,100
Front Track (mm)	1,578	1,578	1,578	1,578
Rear Track (mm)	1,601	1,601	1,601	1,601
Overall height (unladen - mm)	1,830	1,830	1,830	1,830
Overall width (excl standard door mirrors - mm)	1,859	1,859	1,859	1,859
Overall width (incl standard door mirrors - mm)	2,159	2,159	2,159	2,159
Overall length (mm)	4,488	4,910	4,488	4,910
Cargo bay length (mm)	1,806	2,230	1,806	2,230
Maximum cargo bay height (mm)	1,215	1,248	1,215	1,248
Cargo bay width between wheel arches (mm)	1,248	1,248	1,248	1,248
Load volume (m ³)	3.3	4.2	3.3	4.2
Front overhang (mm)	960	960	960	960
Rear overhang (mm)	810	850	810	850
Minimum ground clearance (mm)	162	162	162	162
Tare weight (kg) (w/ increased payload option)	1419 (1425)	1,516	1,707	1,822
Kerb weight (kg) / (w/ increased payload option)	1447 (1453)	1,544	1,707	1,822
Gross vehicle mass (kg) (w/ increased payload option)	2,010 (2210)	2,300	2,230	2,490
Gross combination mass (kg) (w/ increased payload option)	3510 (3710)	3,800	3,730	3,990
Payload (kg) (w/ increased payload option)	563 (757)	756	523	668
Maximum towing weight, braked (kg)	1,500	1,500	1,500	1,500
Maximum towing weight, unbraked (kg)	750	750	750	750
braking				
Front braking system (diameter x thickness - mm)	296mm x 26mm	296mm x 26mm	296mm x 26mm	296mm x 26mm
Rear braking system (Diameter x Thickness - mm)	292mm x 16mm	292mm x 16mm	292mm x 16mm	292mm x 16mm
Turning circle - kerb to kerb (M)	11.31	11.75	11.31	11.75
passive safety				
3-point height adjustable front seat belts with pre-tensioner	●	●	●	●
Driver & passenger front airbags	●	●	●	●
Driver & passenger side airbags	●	●	●	●
Driver seat belt warning driver and passenger	●	●	●	●
QRescue Code	●	●	●	●
active safety				
ESC (Electronic Stability Control)	●	●	●	●
ABS (Anti-Lock Braking System)	●	●	●	●
EBA (Emergency Brake Assist)	●	●	●	●
Advanced Emergency Braking System - pedestrian/cyclist detection	●	●	●	●
Lane Keep Assist	●	●	●	●
Blind Spot Intervention	○ pack	○ pack	○ pack	○ pack
Driver attention alert	●	●	●	●
Traffic sign recognition	●	●	●	●
ASR (Traction Control)	●	●	●	●
Cruise control & speed limiter	●	●	●	●
Adaptive cruise control	○ pack	○ pack	○ pack	○ pack
Rear parking sensors	●	●	●	●
Front, rear and side parking sensors	○ pack	○ pack	○ pack	○ pack
Reversing camera	●	●	●	●
Turn indicators with highway mode	●	●	●	●
Hill Start Assist	●	●	●	●
connectivity and multimedia				
Easy Link 8" capacitive touchscreen multimedia system	●	●	●	●
Easy Link 8" capacitive touchscreen multimedia system with navigation	○ pack	○ pack	○ pack	○ pack
Digital instrument display with 7" screen	●	●	●	●
Apple CarPlay® & Android Auto® smartphone replication*	●	●	●	●
USB ports	●	●	●	●
12v power outlet	●	●	●	●
Wireless smartphone charger	○ pack	○ pack	○ pack	○ pack
Smartphone dock	●	●	●	●
convenience				
Remote central locking	●	●	●	●
Engine immobiliser	●	●	●	●
Auto-door lock when driving	●	●	●	●

* Compatibility may vary depending on phone.
Subject to vehicle spec check upon arrival into country.

05. equipment and options

	SWB PETROL 1.3L EDC	LWB PETROL 1.3L EDC	SWB E-TECH 100% ELECTRIC	LWB E-TECH 100% ELECTRIC
Hands-free key card	○ pack	○ pack	○ pack	○ pack
Halogen headlights	●	●	●	●
LED headlights	○ pack	○ pack	○ pack	○ pack
Front fog lights	○ pack	○ pack	○ pack	○ pack
Rear fog lights	●	●	●	●
Automatic windscreen wipers	●	●	●	●
Automatic dusk sensing headlights	●	●	●	●
Automatic high/low beam function	○ pack	○ pack	○ pack	○ pack
Tyre pressure warning	●	●	●	●
Electric parking brake	●	●	●	●
Eco mode	-	-	●	●
Eco, Normal, Perfo mode	●	●	-	-
Automatic start & stop (switchable)	●	●	-	-
Full size spare wheel	●	●	-	-
Tyre inflation Kit	-	-	●	●
Overhead cabin storage shelf	●	●	●	●
Cup Holders x 2	●	●	●	●
Electric front windows	●	●	●	●
Smart digital rear-view mirror [#]	○	○	○	○
Rear window demister	○	○	○	○
Dashboard storage	●	●	●	●
Interior light - cabin & cargo Area	●	●	●	●
Rear windscreen wiper	○	○	○	○
Electric adjustable door mirrors	●	●	●	●
Front door storage (w/ bottle holders)	●	●	●	●
comfort				
Reach & height adjustable drivers seat	●	●	●	●
Centre console w/ storage and integrated armrest	○ pack	○ pack	○ pack	○ pack
Leather wrapped steering wheel	●	●	○ pack	○ pack
Synthetic steering wheel	-	-	●	●
Heated steering wheel	-	-	○ pack	○ pack
Power steering	●	●	●	●
Height and reach adjustable steering column	●	●	●	●
Air conditioning w/ pollen filter	●	●	-	-
Climate control air conditioning	○ pack	○ pack	●	●
interior styling				
Cloth Seat Upholstery	●	●	●	●
exterior styling				
Wheels (inches)	6J x 16 Steel	6J x 16 Steel	6J x 16 Steel	6J x 16 Steel
Tyres	205/60 R16	205/60 R16	205/60 R16	205/60 R16
16" Steel Wheels	●	●	●	●
Left & right sliding doors - unglazed	●	●	●	●
Left & right sliding doors - glazed	○	○	○	○
No right sliding door	○	-	○	-
Unpainted outer door handles	●	●	●	●
Body-coloured outer door handles	○ pack	○ pack	○ pack	○ pack
Body side protection mouldings	●	●	●	●
Unglazed rear barn doors - 180° opening	●	●	●	●
Extra tinted rear barn doors - 180° opening, wiper and demister	○	○	○	○
Glazed rear barn doors -180° opening, wiper and demister, manual dimming rear-view mirror	○	○	○	○
Glazed tailgate - wiper and demister, manual dimming rear-view mirror	○	○	○	○
Rear mud flaps	●	●	●	●
cargo area				
Cargo tie downs	●	●	●	●
Solid bulkhead - glazed	●	●	●	●
Timber floor lining	○ pack	○ pack	○ pack	○ pack
Mid-height cargo lining	●	●	●	●
Full height timber side panelling	○ pack	○ pack	○ pack	○ pack
Cargo area light	●	●	●	●
Cargo area LED lighting	○ pack	○ pack	○ pack	○ pack

* Compatibility may vary depending on phone.

[#] smart digital rear-view mirror is subject to a global shortage. Not all 2026-built vehicles will have this feature.

Please confirm availability of this feature with your Renault dealer prior to ordering.

Subject to vehicle spec check upon arrival into country.

05. equipment and options

	SWB PETROL 1.3L EDC	LWB PETROL 1.3L EDC	SWB E-TECH 100% ELECTRIC	LWB E-TECH 100% ELECTRIC
E-Tech specific				
Front E-Tech charging socket under Renault logo	-	-	●	●
AC 22kW + DC 80kW charging capability	-	-	●	●
E-Tech instrument panel with energy gauge	-	-	●	●
Audible alert for pedestrians	-	-	●	●
options				
- Trade Pack				
Timber floor lining	○ pack	○ pack	○ pack	○ pack
Full height wall lining	○ pack	○ pack	○ pack	○ pack
Yard kit underbody protection	○ pack	○ pack	○ pack	○ pack
Cargo area LED lighting	○ pack	○ pack	○ pack	○ pack
- Visibility Pack				
Front LED Fog Lamps	○ pack	○ pack	○ pack	○ pack
LED headlights	○ pack	○ pack	○ pack	○ pack
Automatic high/low beam function	○ pack	○ pack	○ pack	○ pack
- Comfort Pack (Petrol)^				
Adaptive cruise control	○ pack	○ pack	-	-
Hands-free key card	○ pack	○ pack	-	-
Body-coloured outer door handles	○ pack	○ pack	-	-
Navigation system	○ pack	○ pack	-	-
Blind Spot Intervention	○ pack	○ pack	-	-
Front & side parking sensors	○ pack	○ pack	-	-
Wireless smartphone charger	○ pack	○ pack	-	-
Centre console w/ storage and integrated armrest	○ pack	○ pack	-	-
Climate control air conditioning	○ pack	○ pack	-	-
- Comfort Pack (E-Tech)^				
Adaptive cruise control	-	-	○ pack	○ pack
Hands-free key card	-	-	○ pack	○ pack
Body-coloured outer door handles	-	-	○ pack	○ pack
Navigation system	-	-	○ pack	○ pack
Blind Spot Intervention	-	-	○ pack	○ pack
Front & side parking sensors	-	-	○ pack	○ pack
Wireless smartphone charger	-	-	○ pack	○ pack
Centre console w/ storage and integrated armrest	-	-	○ pack	○ pack
Leather steering wheel - heated	-	-	○ pack	○ pack
Single options				
Additional 200kg payload	○	-	-	-
No right sliding door	○	-	○	-
Glazed left and right sliding doors	○	○	○	○
Body-coloured front and rear bumpers^	○	-	○	-
Glazed barn doors - extra tinted windows, rear wiper and demister	○	○	○	○
Glazed barn doors - rear wiper and demister, manual dimming rear-view mirror#	○	○	○	○
Glazed tailgate - rear wiper and demister, manual dimming rear-view mirror#	○	○	○	○
warranty				
5 Years / unlimited km vehicle warranty	●	●	-	-
5 Years / 100,000 km vehicle warranty	-	-	●	●
8 years / 160,000km Battery Warranty	-	-	●	●

● = Standard; ○ = Option; - = Not available

^ Compatibility may vary depending on phone.

^ Comfort Pack not compatible with body-coloured front and rear bumpers.

Manual dimming rear-view mirror replaces Smart digital rear-view mirror.

Subject to vehicle spec check upon arrival into country.



For more information, call 1800 009 008 or visit www.renault.com.au. Details are correct at the time of publication and are subject to change. Vehicles depicted in this brochure are overseas models and are shown for illustration purposes only; Australian vehicles may differ in features, specifications, equipment, accessories and/or colour. RVDA Pty Ltd reserves the right to discontinue or change its models at its discretion and without prior notice, including features, specifications, equipment, accessories available and colour. The colours in the photographs may vary from actual colours. Please consult your Renault dealer for the latest information on models, features, specifications, prices, options and availability. Publication date - April 2026. RVDA Pty Ltd, 2A Hill Road, Lidcombe NSW 2141. REN1571

