

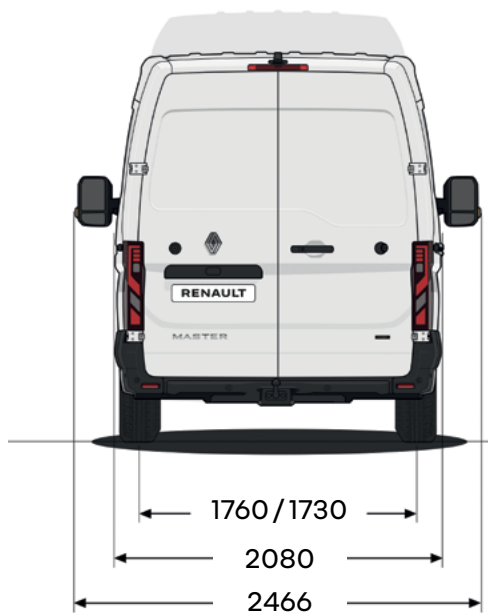
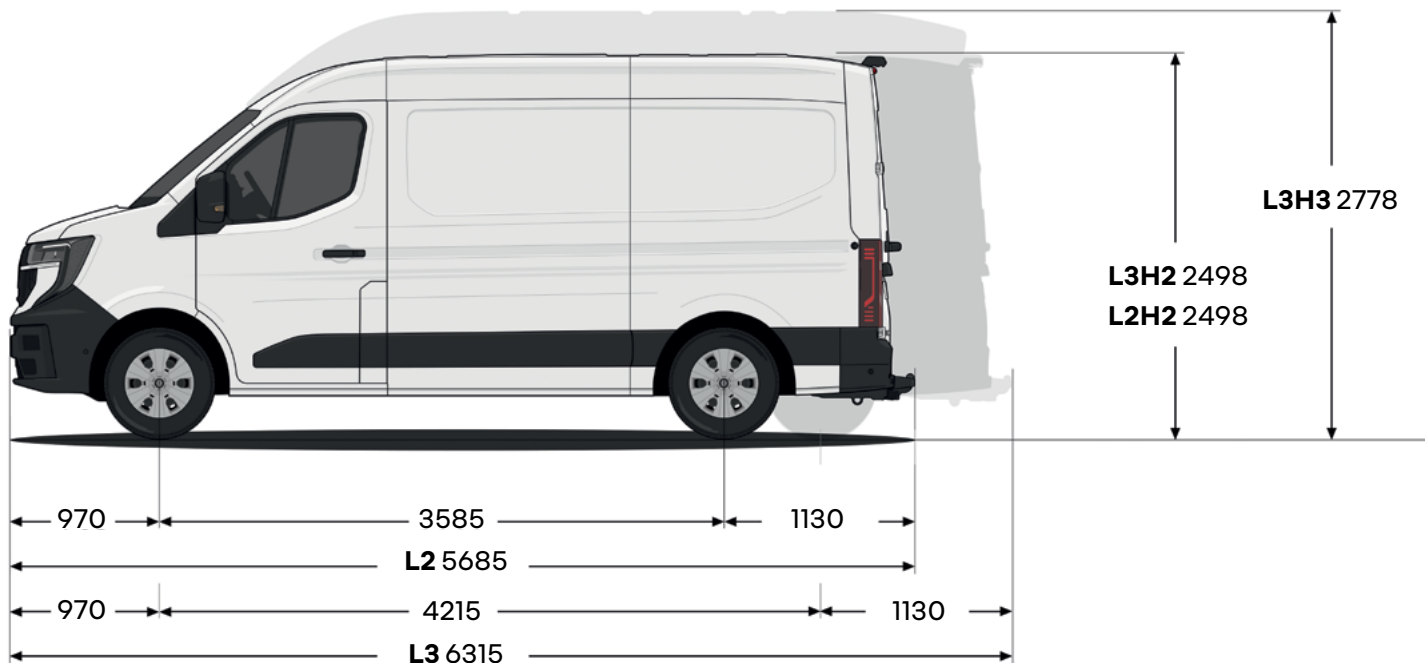
RENAULT MASTER & MASTER E-TECH

100% electric



- 01. dimensions**
- 02. technical specifications**
- 03. equipment and options**

01. dimensions



02. technical specifications

	MT MWB Mid-Roof Auto (L2H2)	MWB Mid-Roof Auto (L2H2)	LWB Mid-Roof Auto (L3H2)	LWB High-Roof Auto (L3H3)	MWB Mid-Roof Auto E-Tech (L2H2)	LWB Mid-Roof E-Tech (L3H2)
engine and transmission						
Type		2.0L Diesel			-	-
Capacity (cc)		1,997			-	-
Number of cylinders/ valves		4 / 16			-	-
Bore x stroke (mm)		85 x 88			-	-
Maximum power (kW @ rpm)		125 / 3,500			-	-
Maximum torque (Nm @ rpm)		380 / 1,500			-	-
Fuel type		Diesel			-	-
Fuel injection type		Common Rail Direct Injection			-	-
Emission standard		Euro 6			-	-
Fuel tank (L)		80			-	-
Adblue® tank (L)		20			-	-
Driven wheels		Front			-	-
Gearbox Type	6-speed manual		9-speed automatic		-	-
battery and charging						
battery type (kWh)	-	-	-	-	87	
Maximum power (kW)	-	-	-	-	105	
Maximum torque (Nm)	-	-	-	-	300	
on board charger AC / DC (kW)	-	-	-	-	11kW AC / 130kW DC	
WLTP driving range (km)	-	-	-	-	Up to 409km [†]	
Charging time - 2.1k W AC charger (15-80%)	-	-	-	-	approx. 30h 06m [^]	
Charging time - 11kW AC charger (15-80%)	-	-	-	-	approx. 5h 52m [^]	
Charging time - 130kW DC charger (15-80%)	-	-	-	-	approx. 38m [^]	
V2L capabilities	-	-	-	-	■	■
braking, suspension and steering						
Front braking system (diameter x thickness - mm)			305x28			
Rear braking system (Diameter x thickness - mm)			300x20			
Turning circle - kerb to kerb (M)	12.8		14.9		12.8	14.9
dimensions and weights[#]						
Body Type	L2H2 Van	L2H2 Van	L3H2 Van	L3H3 Van	L2H2 Van	L3H2 Van
Seating capacity	3	3 standard, option 2			3	
Wheelbase (mm)	3,585		4,215		3,585	4,215
Overall length (mm)	5,685		6,315		5,685	6,315
Front overhang (mm)			970			
Rear overhang (mm)			1,130			
Front track (mm)			1,770			
Rear track (mm)			1,730			
Overall width (excl. / incl. standard door mirrors - mm)			2080 / 2466			
Overall height (mm)		2,498		2,778		2,498
Cargo bay load volume (m ³)	10.80		13.00	14.80	10.8	13.00
Minimum ground clearance (mm)			140			
Cargo bay length (mm)	3,225		3,857		3,225	3,857
Cargo bay width (169mm from floor) (mm)			1,537			
Cargo bay width between wheel arches (mm)			1,380			
Rear barn door height entrance (max - mm)			1,755			
Cargo bay height (mm)		1,885		2,119		1,885
Side door height entrance (mm)			1,753			
Side door width entrance (mm)			1,312			
Gross Vehicle Mass - GVM - (kg)		4,000			3,500	
Tare Mass (3 seat / 2 seat kg)	2,019	2,000 / 1,969	2,050 / 2,081	2,131	2,344	2,424
Unladen Mass (3 seat / 2 seat kg)	2,077	2,058 / 2,027	2,108 / 2,139	2,189	2,336	2,416
Gross Combined Mass (kg)		6,000			5,500	
Payload (3 seat / 2 seat kg)	1,923	1,942 / 1,973	1,861 / 1,892	1,811	1,164	1,084
Towing weight, braked (max - kg)			2,000			
Towing weight, unbraked (max - kg)			750			

[†]Based on L2H2 and L3H2 3.5T versions. Range figure is based on WLTP (Worldwide Harmonized Light Vehicle Test Procedure) static laboratory combined average city and highway cycle test. Figures stated for the purposes of comparison amongst vehicles tested to the same technical procedures only. Actual real world driving results will vary depending on a combination of driving style, type of journey, vehicle configuration, battery age and condition, use of vehicle features (such as heating and air conditioning), as well as operating, environmental and climate conditions

[^]Charging time may vary depending on charging conditions, including charger type and condition, on-site power usage, battery temperature, ambient temperature at point of use, battery age and state of charge, and whether battery safeguarding technology is activated. Indicated rapid charging time requires use of a DC charger, available only on public charger network

[#]The weights indicated for towing capacities are for a basic vehicle without options. These may vary depending on your vehicle's equipment, accessories, passengers & any cargo on board. Please consult your Renault Dealership or the vehicle's owner handbook to confirm your towing requirements to ensure compliance with approved towing limits

03. equipment and options

	MT MWB Mid-Roof Auto (L2H2)	MWB Mid-Roof Auto (L2H2)	LWB Mid-Roof Auto (L3H2)	LWB High-Roof Auto (L3H3)	MWB Mid-Roof Auto E-Tech (L2H2)	LWB Mid-Roof E-Tech (L3H2)
PASSIVE SAFETY						
Front airbags - driver and passenger	■	■	■	■	■	■
Seat belt warning light & tone for driver & front passengers	■	■	■	■	■	■
Seat belt reminder - driver & front passenger	■	■	■	■	■	■
Tyre pressure warning	■	■	■	■	■	■
ACTIVE SAFETY						
Active Emergency Braking (AEBS) with pedestrian and cyclist detection	■	■	■	■	■	■
Lane Departure Warning (LDW)	■	■	■	■	■	■
Lane Keep Assist (LKA)	■	■	■	■	■	■
Blind Spot Warning (BSW) (N/A with front and side parking sensors)	■	■	■	■	■	■
Traffic Sign Recognition (TSR)	■	■	■	■	■	■
Cruise control	■	■	■	■	■	■
Speed limiter	■	■	■	■	■	■
Driver attention and drowsiness warning	■	■	■	■	■	■
ESC (Electronic Stability Control) with load adaptive control	■	■	■	■	■	■
Hill Start Assist (HSA)	■	■	■	■	■	■
ABS (Anti-Lock Braking System)	■	■	■	■	■	■
Rear parking sensors	■	■	■	■	■	■
Front and side parking sensors (implies without Blind Spot Warning)	○	○	○	○	○	○
Reversing camera	■	■	■	■	■	■
EXTERIOR LIGHTING						
LED Daytime Running Lights (DRL)	■	■	■	■	■	■
Rear fog light	■	■	■	■	■	■
CONNECTIVITY AND MULTIMEDIA						
10" openRLink touchscreen multimedia system	■	■	■	■	-	-
10" openRLink touchscreen multimedia system with Google Built in Services**	-	-	-	-	■	■
Smartphone voice recognition~	■	■	■	■	■	■
Apple CarPlay® & Android Auto® smartphone replication*	■	■	■	■	■	■
3.5" TFT Instrument Cluster	■	■	■	■	-	-
7" Digital Drivers Display Cluster	-	-	-	-	■	■
Bluetooth® hands-free w/ audio streaming~	■	■	■	■	■	■
FM/AM	■	■	■	■	■	■
2x USB ports	■	■	■	■	■	■
12v dashboard power outlet	■	■	■	■	■	■
CONVENIENCE						
Automatic dusk sensing headlights	■	■	■	■	■	■
Remote central locking	■	■	■	■	■	■
Auto-door lock when driving	■	■	■	■	■	■
Foldable insert key with separate cargo bay opening	■	■	■	■	■	■
Automatic rain sensing wipers	■	■	■	■	■	■
ECO mode	■	■	■	■	■	■
Electric front windows	■	■	■	■	■	■
1-touch anti-pinch driver and passenger window	■	■	■	■	■	■
Rear windscreen demister	■	■	■	■	■	■
Halogen Cabin lights	■	■	■	■	■	■
Manual dimming rear view mirror	■	■	■	■	■	■
Electric heated & adjustable door mirror	■	■	■	■	■	■
Under-body spare wheel	■	■	■	■	■	■
Automatic start & stop (switchable)	■	■	■	■	-	-
Gear shift indicator	■	■	■	■	-	-
On Board Diagnostic EV	-	-	-	-	■	■
COMFORT						
Height, reach & lumbar adjustable driver's seat w/ armrest	■	■	■	■	■	■
Dual passenger bench seat	■	■	■	■	■	■
Dual passenger bench seat with under seat storage and mobile office	○	○	○	○	○	○

~A compatible smartphone will be required for the use of this feature.

*Apple CarPlay® is a trademark of Apple Inc., registered in the U.S. and other countries and regions. Android Auto™ is a trademark of Google LLC.

**Available only on E-Tech electric variants. My Renault connected services, Google Automotive Services (GAS), Google Maps and Google Assistant connected services are provided free of charge for 5 years from the date of delivery of your vehicle. Google, Android Auto, Google Maps, Google News, Waze and other brand names are all trademarks of Google LLC. To use My Renault connected services, you will need a compatible smartphone, a Google account for some apps, and an internet connection (which may incur data charges). Services may be affected by mobile network coverage.

03. equipment and options

	MT MWB Mid-Roof Auto (L2H2)	MWB Mid-Roof Auto (L2H2)	LWB Mid-Roof Auto (L3H2)	LWB High-Roof Auto (L3H3)	MWB Mid-Roof Auto E-Tech (L2H2)	LWB Mid-Roof E-Tech (L3H2)
Open upper dashboard storage	■	■	■	■	■	■
Power steering	■	■	■	■	■	■
Height & reach adjustable steering wheel	■	■	■	■	■	■
Air conditioning w/ pollen filter	■	■	■	■	■	■
Auto climate control air conditioning	○	○	○	○	○	○
INTERIOR STYLING						
Dark marled fabric upholstery with dark grey stitching	■	■	■	■	■	■
EXTERIOR STYLING						
Wheels (inches)	6J x 16	6J x 16	6J x 16	6J x 16	6J x 16	6J x 16
Tyres (Front)	205/75R16	205/75R16	205/75R16	205/75R16	205/75R16	205/75R16
Tyres (Rear)	205/75R16	205/75R16	205/75R16	205/75R16	205/75R16	205/75R16
16" steel wheels - large cover	■	■	■	■	■	■
Body side protection mouldings	■	■	■	■	■	■
Body coloured front bumper insert trim (Mineral White, Star grey, Agave Blue)	○	○	○	○	○	○
Left sliding door - unglazed	■	■	■	■	■	■
Left sliding door - glazed	○	○	○	○	○	○
Left & right sliding doors - unglazed	○	○	○	○	○	○
Left & right sliding doors - glazed	○	○	○	○	○	○
Rear barn doors w/ 270 opening - glazed	■	■	■	■	■	■
Rear barn doors w/ 270 opening - unglazed	○	○	○	○	○	○
Front and rear mud flaps	■	■	■	■	■	■
Side Lights	-	-	■	■	-	■
CARGO AREA						
Steel bulkhead - glazed +grilled	■	■	■	■	■	■
12v power outlet	■	■	■	■	■	■
Floor anchorage points	○	○	○	○	○	○
Floor and wall anchorage points	■	■	■	■	■	■
Halogen cargo area lights	■	■	■	■	■	■
Luggage kick plate	■	■	■	■	■	■
SINGLE OPTIONS						
Steel Bulkhead - unglazed	○	○	○	○	○	○
Without bulkhead	○	○	○	○	○	○
No Rear Demister (If unglazed)	○	○	○	○	○	○
Wooden Floor with Mid Height Cargo Area Wall Lining	○	○	○	○	○	○
Wooden Floor with Full Height Cargo Area Wall Lining	○	○	○	○	○	○
Pneumatic Suspension	○	○	○	○	-	○
Rear Quarter Side Panel glazed (only with left and right sliding door)	○	○	○	○	○	○
Anti-theft alarm	○	○	○	○	○	○
Brakes wear indicator	○	○	○	○	○	○
22kW + DC 130kW (No V2L function)	-	-	-	-	○	○
Digital Rearview Mirror (Only available with Steel Bulkhead)	○	○	○	○	○	○
Body coloured front bumper insert trim (Mineral White, Star grey, Agave Blue)	○	○	○	○	○	○
PACKS						
Trade Pack (Reverse Sound, LED Cargo Light, Rear Step Board, Work Office Bench	○	○	○	○	○	○
Business Pack (Auto A/C, Handsfree key with zoning, Work Office Bench, LED Cabin Light	○	○	○	○	○	○
Business + Trade Pack (Reverse Sound, LED Cargo Light, Rear Step Board, Auto A/C, Handsfree Key with Zoning, Work Office Bench, LED Cabin Light	○	○	○	○	○	○

■ = Standard; ○ = Option; - = Not available



For more information, call 1800 009 008 or visit www.renault.com.au. Details are correct at the time of publication for MY26 vehicles and are subject to change. Vehicles depicted in this brochure are overseas models and are shown for illustration purposes only; Australian vehicles may differ in features, specifications, equipment, accessories and/or colour. RVDA Pty Ltd reserves the right to discontinue or change its models at its discretion and without prior notice, including features, specifications, equipment, accessories available and colour. The colours in the photographs may vary from actual colours. Please consult your Renault dealer for the latest information on models, features, specifications, prices, options and availability. Publication date - May 2026. RVDA Pty Ltd, 2A Hill Road, Lidcombe NSW 2141. REN1576

